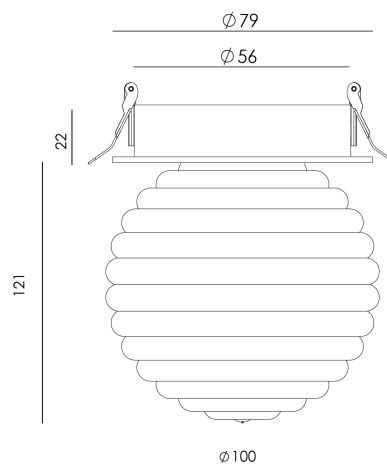




DOUL

TR1310



PRODUCT

Material	Glass / Aluminium
Finishes	Aged Gold Matt Black
Category	Ceiling Recessed

TECHNICAL SPECIFICATIONS

Type Of Light Source	G4
Power	2.3W
Luminous Flux	177lm
Color Temperature	2700K
CRI	>80
Lighting Efficiency	76lm/W
Light Beam Angle	63°
Sealing	IP20

REGULATION

Driver	No
Dimming	TRIAC Dimmable