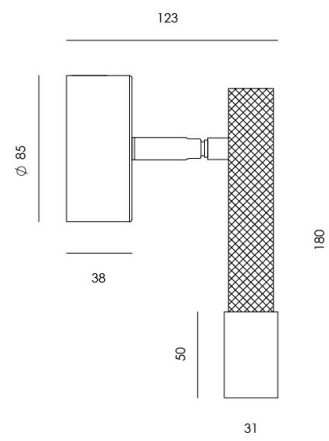




## YCRO S

T1297



### PRODUCT

Material	Aluminum
Finishes	Matt Black / Matt Brass   Matt Black
Category	Surface

### TECHNICAL SPECIFICATIONS

Type Of Light Source	COB
Power	7.5W
Luminous Flux	540lm
Color Temperature	2700K
CRI	>80
Lighting Efficiency	73lm/W
Light Beam Angle	46°
Sealing	IP20

### REGULATION

Driver	Yes (Included)
Dimming	TRIAC Dimmable