

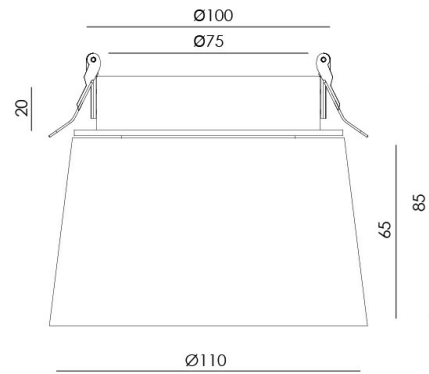
# aromas

ARCHITECTURAL  
COLLECTION



## LAF

### T0305



#### PRODUCT

|          |                       |
|----------|-----------------------|
| Material | Aluminum              |
| Finishes | White / Color Palette |
| Category | Ceiling Recessed      |

#### TECHNICAL SPECIFICATIONS

|                      |                       |
|----------------------|-----------------------|
| Type Of Light Source | Smd                   |
| Power                | 4.5W                  |
| Luminous Flux        | 215lm                 |
| Color Temperature    | 2700K   3000K   4000K |
| CRI                  | >90                   |
| Lighting Efficiency  | 46lm/W                |
| Light Beam Angle     | 98°                   |
| Sealing              | IP20                  |

#### REGULATION

|         |                |
|---------|----------------|
| Driver  | Yes (Included) |
| Dimming | TRIAC Dimmable |