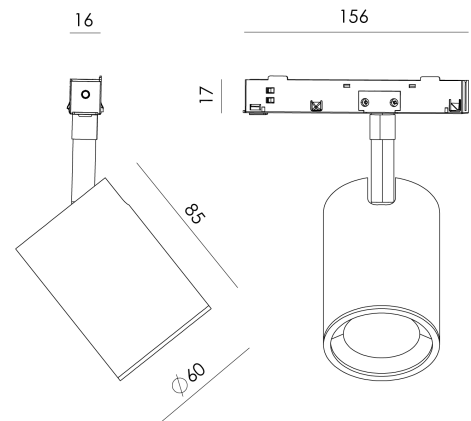




## LATTO

R0322



### PRODUCT

Material	Aluminum
Finishes	Black   Aged Gold   Anthracite
Category	48V Track Light

### TECHNICAL SPECIFICATIONS

Type Of Light Source	COB
Power	4.5W
Luminous Flux	343lm
Color Temperature	2700K
CRI	>90
Lighting Efficiency	73lm/W
Light Beam Angle	32°
Sealing	IP20

### REGULATION

Driver	No
Track Dimming	No Dim   DALI   Casambi